



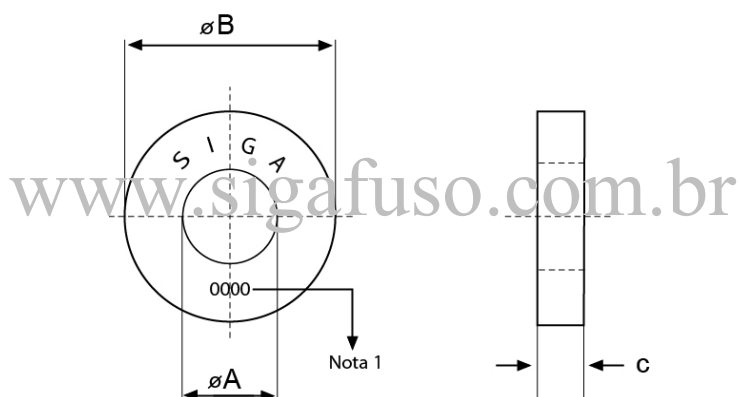
Siga Elementos de Fixação

Pág. 1

Nº SG-ARR-016

Rev. 00

Arruela Lisa Norma Din 1440



Diam. Fixador	Diam. Int. " A "	Diam.Ext. " B "	Espessura " C "	Peso Aprox. Milheiro	Peso. Aprox. Kilo	Dimensional Base
M-6	6	12	1,6	1,08	927	12x6,0x1,6
M-7	7	14	1,6	1,47	681	14x7,0x1,6
M-8	8	16	2	2,4	417	16x8,0x2,0
M-10	10	20	2,5	4,68	214	20x10x2,5
M-12	12	25	3	9,01	111	25x12x3,0
M-13	13	25	3	8,54	117	25x13x3,0
M-14	14	28	3	11,01	91	28x14x3,0
M-16	16	28	3	9,89	101	28x16x3,0
M-18	18	30	4	14,38	70	30x18x4,0
M-20	20	32	4	15,58	64	32x20x4,0
M-22	22	34	4	16,78	60	34x22x4,0
M-23	23	36	4	19,15	52	36x23x4,0
M-24	24	38	4	21,68	46	38x24x4,0
M-25	25	40	4	24,35	41	40x25x4,0
M-26	26	40	4	23,07	43	40x26x4,0
M-27	27	40	5	27,19	37	40x27x5,0
M-28	28	42	5	30,59	33	42x28x5,0
M-30	30	45	5	35,12	28	45x30x5,0
M-32	32	50	5	46,07	22	50x32x5,0
M-33	33	50	5	44,04	23	50x33x5,0
M-35	35	52	6	55,4	18	52x35x6,0
M-36	36	52	6	52,74	19	52x36x6,0
M-40	40	58	6	66,08	15	58x40x6,0
M-45	45	62	7	79,49	13	62x45x7,0
M-50	50	68	8	106,08	9,43	68x50x8,0
M-55	55	75	9	146,09	6,85	75x55x9,0
M-60	60	80	9	157,32	6,36	80x60x9,0
M-65	65	90	9	217,72	4,59	90x65x9,0
M-70	70	95	10	257,52	3,88	95x70x10,0
M-75	75	100	10	273,13	3,66	100x75x10,0
M-80	80	110	12	422,91	2,36	110x80x12,0
M-85	85	110	12	365,22	2,74	110x85x12,0
M-90	90	115	12	383,94	2,6	115x90x12,0
M-95	95	120	12	402,67	2,48	120x95x12,0
M-100	100	125	14	491,64	2,03	125x100x14,0

Nota 1 – Identificação Material