



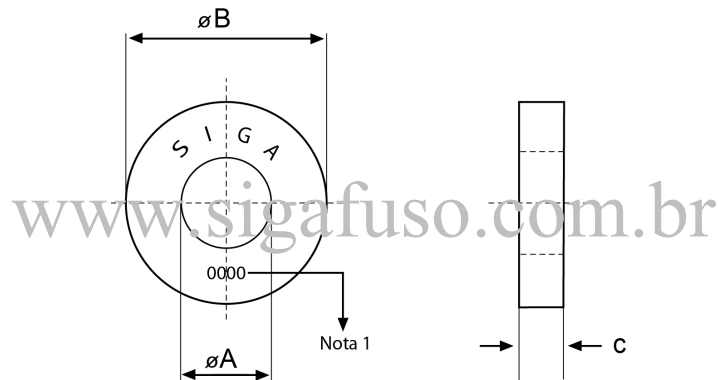
Siga Elementos de Fixação

Pág. 1

Nº SG-ARR-007

Rev. 00

Arruela lisa – ANSI B27.2 – Série Polegada



Diâmetro do Fixador	Tipo "A" - Leve			Tipo "B" - Regular		
	A	B	C	A	B	C
	máx.min.	Max min.	Max min.	Max min.	Max min.	Max min.
3/16"	6,731	14,655	1,651	5,359	14,478	1,143
	6,223	14,147	0,914	5,029	14,147	0,914
1/4"	7,518	16,256	2,032	7,518	19,024	1,803
	7,01	15,748	1,295	7,01	18,465	1,422
5/16"	9,118	17,856	2,032	9,118	22,606	1,803
	8,61	17,297	1,295	8,61	22,047	1,422
3/8"	10,693	21,005	2,032	10,693	25,781	1,803
	10,185	20,447	1,295	10,185	25,222	1,422
7/16"	12,293	23,799	2,032	12,293	28,956	1,803
	11,785	23,241	1,295	11,785	28,397	1,422
1/2"	13,868	27,736	3,073	13,868	32,512	2,844
	13,36	26,797	1,879	13,36	31,572	2,286
9/16"	15,468	30,124	3,073	15,468	38,074	2,844
	14,96	29,186	1,879	14,96	37,134	2,286
5/8"	17,424	34,086	3,073	17,424	45,212	2,844
	16,484	33,147	1,879	16,484	44,272	2,286
3/4"	21,386	38,074	4,064	21,386	51,562	2,844
	20,447	37,134	2,743	20,447	50,622	2,286
7/8"	24,587	45,212	4,064	24,587	57,912	4,419
	23,647	44,272	2,743	23,647	56,972	3,708
1"	27,736	51,562	4,064	27,736	64,262	4,419
	26,797	50,622	2,743	26,797	63,322	3,708
1.1/8"	32,512	57,912	4,064	30,937	70,612	4,419
	31,572	56,972	2,743	29,997	69,672	3,708
1.1/4"	35,687	64,262	4,876	34,086	76,962	4,419
	34,747	63,322	3,454	33,147	76,02	3,708
1.3/8"	38,862	70,612	4,876	37,287	83,312	4,419
	37,922	69,672	3,454	36,347	82,372	3,708
1.1/2"	42,037	76,962	4,876	40,187	90,043	6,756
	41,097	76,022	3,454	39,42	88,646	5,943
1.5/8"	45,593	83,646	5,41	45,593	96,393	6,756
	44,196	82,706	3,886	44,196	94,996	5,943
1.3/4"	48,768	90,043	5,41	48,768	102,743	6,756
	47,371	89,103	3,886	47,371	101,346	5,943
1.7/8"	51,943	96,393	5,41	51,943	109,093	6,756
	50,546	95,453	3,886	50,546	107,696	5,943
2"	55,118	102,743	5,41	55,118	115,443	6,756
	53,721	101,803	3,886	53,721	114,046	5,943

Nota

1 – Identificação do Material