



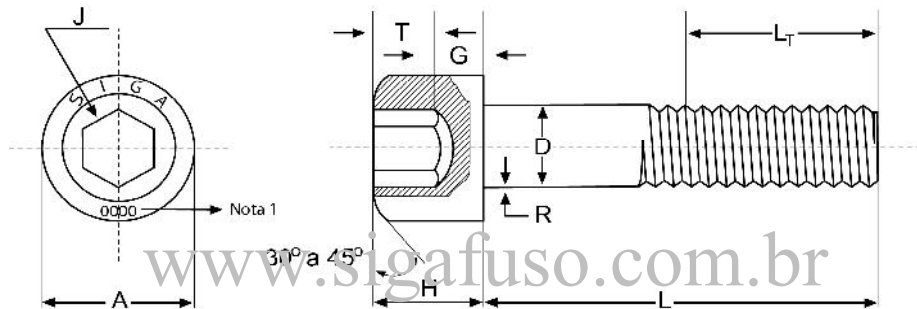
Siga Elementos de Fixação

Pág. 1

Nº SG-PF-013

R e v. 00

Parafuso Cabeça Cilíndrica C/Sext. Interno – Norma Dimensional ASME B18.3-2003 Tabela 1A



Diâmetro Nominal	D		A		H		R		J	T	G	LT
	máx.	min.	máx.	min.	máx.	min.	máx.	min.	nom.	min.	min.	básico
1/4"	6,35	6,184	9,525	9,271	6,35	6,197	0,355	0,228	3/16"	3,048	2,413	25,4
5/16"	7,937	7,754	11,912	11,607	7,924	7,772	0,431	0,304	1/4"	3,835	3,022	28,448
3/8"	9,525	9,342	14,274	13,97	9,525	9,347	0,508	0,381	5/16"	4,622	3,632	31,75
7/16"	11,112	10,906	16,662	16,306	11,125	10,922	0,584	0,457	3/8"	5,41	4,216	35,052
1/2"	12,7	12,494	19,05	18,669	12,7	12,496	0,66	0,508	3/8"	6,223	4,826	38,1
5/8"	15,875	15,654	23,825	23,393	15,875	15,646	0,812	0,609	1/2"	7,797	6,045	44,45
3/4"	19,05	18,811	28,575	28,117	19,05	18,796	0,99	0,762	5/8"	9,398	7,239	50,8
7/8"	22,225	21,963	33,324	32,842	22,225	21,945	1,117	0,863	3/4"	10,972	8,458	57,15
1"	25,4	25,11	38,1	37,566	25,4	25,095	1,27	1,016	3/4"	12,573	9,652	63,5
1.1/8"	28,575	28,158	42,875	42,291	28,575	28,219	1,397	1,143	7/8"	14,147	10,871	71,374
1.1/4"	31,75	31,333	47,625	47,04	31,75	31,394	1,524	1,27	7/8"	15,748	12,065	79,248
1.3/8"	34,925	34,462	52,374	51,765	34,925	34,544	1,651	1,397	1"	17,322	13,284	86,36
1.1/2"	38,1	37,637	57,15	56,489	38,1	37,719	1,778	1,524	1"	18,923	14,478	95,25
1.3/4"	44,45	43,929	66,675	65,963	44,45	44,043	2,032	1,778	1.1/4"	22,098	16,891	111,252
2"	50,8	50,241	76,2	75,438	50,8	50,368	2,286	1,905	1.1/2"	25,273	19,304	127

TOLERÂNCIA PARA COMPRIMENTOS "L"

Comprimento Nominal "L"	Diâmetro Nominal			
	1/4" a 3/8"	7/16" a 3/4"	7/8" a 1.1/2"	acima de 1.1/2"
Até 1"	-0,762	-0,762	-1,27	-----
Acima de 1" até 2.1/2"	-1,016	-1,524	-2,54	-4,572
Acima de 2.1/2" até 6"	-1,524	-2,032	-3,556	-5,08
Acima de 6"	-3,048	-3,048	-5,08	-6,096

Notas

1 - Identificação do Material

2 - Padrão de Roscas diâmetros $\leq 1"$ = UNC / 3A para diâmetros $\geq 1 \frac{1}{8}$ = UNC / 2A