



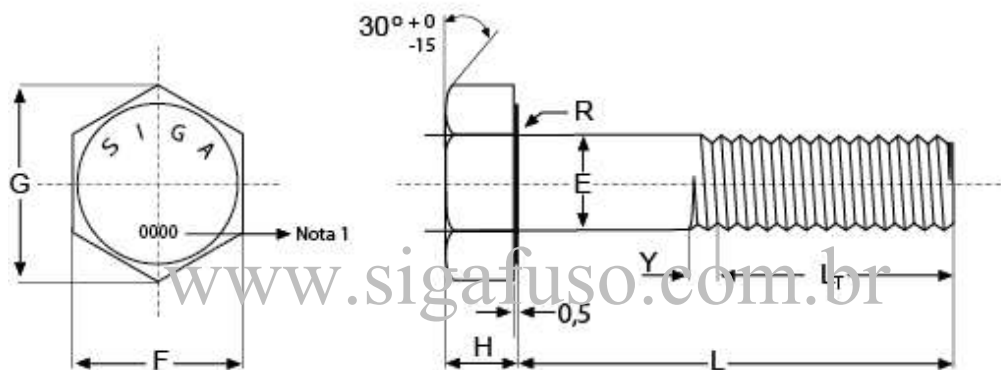
# Siga Elementos de Fixação

Pág. 1

Nº SG-PF-021

Rev. 00

Parafuso Cabeça Sextavada, Normal – Norma ASME B18.2.1 – 1999 Tabela 4 - Série Polegada



Diâmetro Nominal	E		F		G		H		R		LT		Y
	máx.	min.	máx.	min.	máx.	min.	máx.	min.	máx.	min.	Básico	Básico	
1/4"	6,35	6,223	11,125	10,871	12,827	12,395	4,14	3,81	0,635	0,381	19,05	25,4	6,35
5/16"	7,937	7,785	12,7	12,42	14,655	14,147	5,359	4,953	0,635	0,381	22,25	28,575	7,061
3/8"	9,525	9,372	14,274	13,995	16,51	15,951	6,172	5,74	0,635	0,381	25,4	31,75	7,924
7/16"	11,112	10,934	15,875	15,544	18,338	17,729	7,391	6,908	0,635	0,381	28,575	34,925	9,067
1/2"	12,7	12,522	19,05	18,694	21,996	21,336	8,204	7,67	0,635	0,381	31,75	38,1	9,779
9/16"	14,287	14,084	20,624	20,269	23,825	23,114	9,423	8,839	1,143	0,508	34,925	41,275	10,591
5/8"	15,875	15,671	23,825	23,418	27,508	26,695	10,236	9,601	1,143	0,508	38,1	44,45	11,557
3/4"	19,05	18,821	28,575	27,94	32,994	31,851	12,268	11,557	1,143	0,508	44,45	50,8	12,7
7/8"	22,225	21,996	33,324	32,639	38,506	37,211	14,3	13,487	1,651	1,016	50,8	57,15	14,122
1"	25,4	25,146	38,1	37,312	43,992	42,545	15,925	15,011	2,413	1,524	57,15	63,5	15,875
1.1/8"	28,575	28,295	42,875	41,427	49,504	47,218	18,237	16,713	2,413	1,524	63,5	69,85	18,135
1.1/4"	31,75	31,47	47,625	46,024	54,991	52,476	20,65	19,024	2,413	1,524	69,85	76,2	18,135
1.3/8"	34,925	34,62	52,374	50,647	60,502	57,734	22,301	20,574	2,413	1,524	76,2	82,55	21,158
1.1/2"	38,1	37,795	57,15	55,245	65,989	62,992	24,739	22,91	2,413	1,524	82,55	88,9	21,158
1.3/4"	44,45	44,145	66,675	64,465	76,987	73,482	28,803	26,771	2,413	1,524	95,25	101,6	25,4
2"	50,8	50,945	76,2	73,66	87,985	83,972	32,08	29,845	2,413	1,524	107,95	114,3	28,219
2.1/4"	57,15	56,845	85,725	82,854	98,983	94,462	36,144	33,705	2,413	1,524	120,65	127	28,219
2.1/2"	63,5	63,195	95,25	92,075	109,982	104,978	40,208	37,566	2,413	1,524	133,35	139,7	31,75
2.3/4"	69,85	69,545	104,775	101,295	120,98	115,468	44,297	41,452	2,413	1,524	146,05	152,4	31,75
3"	76,2	75,895	114,3	110,49	131,978	125,958	49,149	46,101	2,413	1,524	158,75	165,1	31,75



# Siga Elementos de Fixação

Pág. 2

Nº SG-PF-021

Rev. 00

**Parafuso Cabeça Sextavada, Normal – Norma ASME B18.2.1 – 1999 Tabela 4 - Série Polegada**

Tolerâncias Pagina 2

Comprimento Nominal "L"	Diâmetro Nominal					
	1/4 a 3/8	7/16 a 1/2	9/16 a 3/4	7/8 a 1"	1 1/8 a 1 1/2	Acima de 1 1/2
Até 1"	-0,762	-0,762	-0,762	-----	-----	-----
Acima de 1" até 2.1/2"	-1,016	-1,524	-2,032	-2,54	-3,048	-4,572
Acima de 2".1/2" até 4"	-1,524	-2,032	-2,54	-3,556	-4,064	-5,08
Acima de 4" até 6"	-2,54	-2,54	-2,54	-4,064	-4,572	-5,588
Acima de 6"	-4,572	-4,572	-4,572	-5,08	-5,588	-6,096

**Nota**

1 – Identificação do Material

2- Tipos de Roscas = UNC / UNF / 8UN /BSW / BSF