



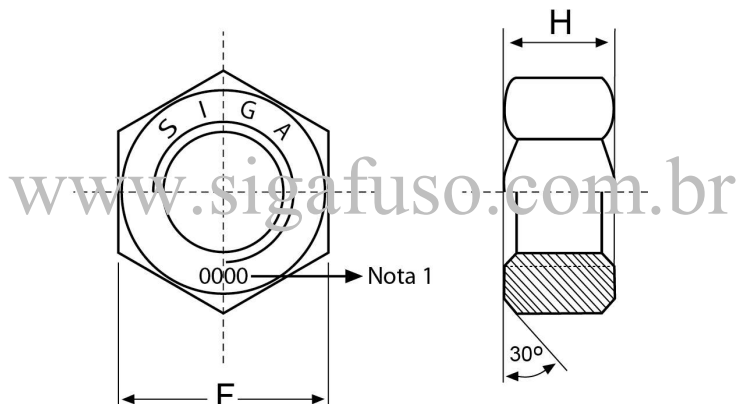
Siga Elementos de Fixação

Pág. 1

Nº SG-PO-005

Rev. 00

Porca e Contra porca Sextavadas – Norma ANSI / ASME B18.2.2 – Rosca B1.1 – Série Polegada



Diâmetro Nominal	Tipos de Roscas		F			G		H		H1	
			Diâm.	máx.	min.	máx.	min.	máx.	min.	máx.	min.
1/4"	20 - UNC	28 - UNF	7/16.	11,125	10,871	12,827	12,395	5,74	5,384	4,14	3,81
5/16"	18 - UNC	24 - UNF	1/2.	12,7	12,42	14,655	14,147	6,934	6,553	4,953	4,572
3/8"	16 - UNC	24 - UNF	9/16.	14,274	13,995	16,51	15,951	8,559	8,128	5,765	5,334
7/16"	14 - UNC	20 - UNF	5/8.	17,475	17,145	20,167	19,507	9,779	9,271	6,604	6,096
1/2.	13 UNC	12 WW	3/4.	19,05	18,694	21,996	21,336	11,379	10,845	8,204	7,67
9/16"	12 - UNC	18 - UNF	7/8.	22,225	21,869	25,654	24,942	12,598	12,014	8,229	7,645
5/8"	11 - UNC	18 - UNF	15/16	23,825	23,418	27,508	26,695	14,198	13,589	9,829	9,22
3/4"	10 - UNC	16 - UNF	1 1/8	28,575	27,635	32,994	31,496	16,891	15,671	11,328	10,109
7/8"	9 - UNC	14 - UNF	1 5/16	33,324	32,232	38,506	36,753	19,71	18,389	12,954	11,633
1"	8 - UNC	12 - UNF	1 1/2	38,1	36,83	43,992	41,986	22,529	21,107	14,605	13,182
1.1/8"	7 - UNC	12 - UNF	1 11/16	42,875	41,427	49,504	47,218	25,374	23,85	16,23	14,706
1.1/4"	7 - UNC	12 - UNF	1 7/8	47,625	46,024	54,991	52,476	27,787	26,162	19,075	17,449
1.3/8"	6 - UNC	12 - UNF	2 1/16	52,374	50,647	60,502	57,734	30,632	28,905	20,701	18,973
1.1/2"	6 - UNC	12 - UNF	2 1/4	57,15	55,245	65,989	62,992	33,451	31,623	22,352	20,523

Nota

1 – Identificação Material